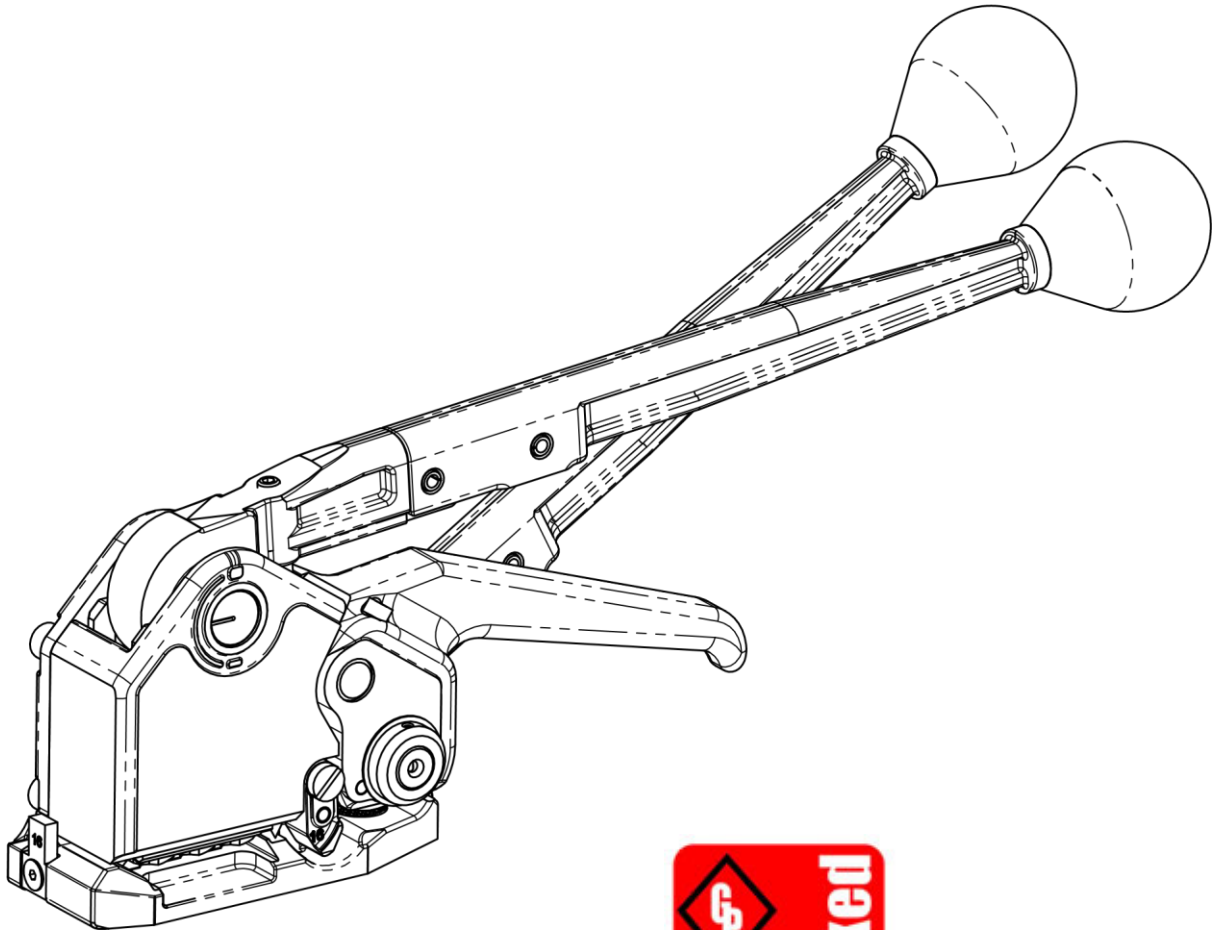


MUL-16 Sealless Combination Tool for STEEL

Operation Manual



02 9452-3566

sales@getpacked.com.au

Strap Type	Regular Duty Steel
Strap Width	Adjustable 1/2", 5/8", 3/4" (13, 16, 19 mm)
Strap Thickness	Up to 0.025" (0.64 mm)
Joint Type	Sealless
Weight	8.5 lbs (3.8 kg)
Footprint	L: 4.5"; W: 2.2"

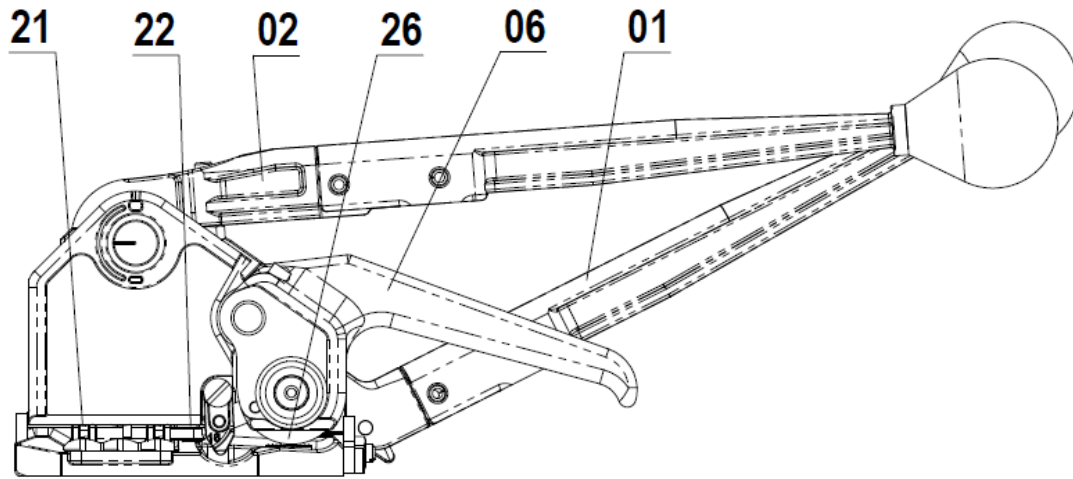


Fig. 1 – Starting Position

1. Pull up on **Feed Wheel Support Handle 06** to raise **Feed Wheel 26**. Load both straps **100** and **101** under **Dies 21**, under **Cutter Blade 22** and under **Feed Wheel 26** and release the **Feed Wheel Support Handle 06** as shown on Fig. 2

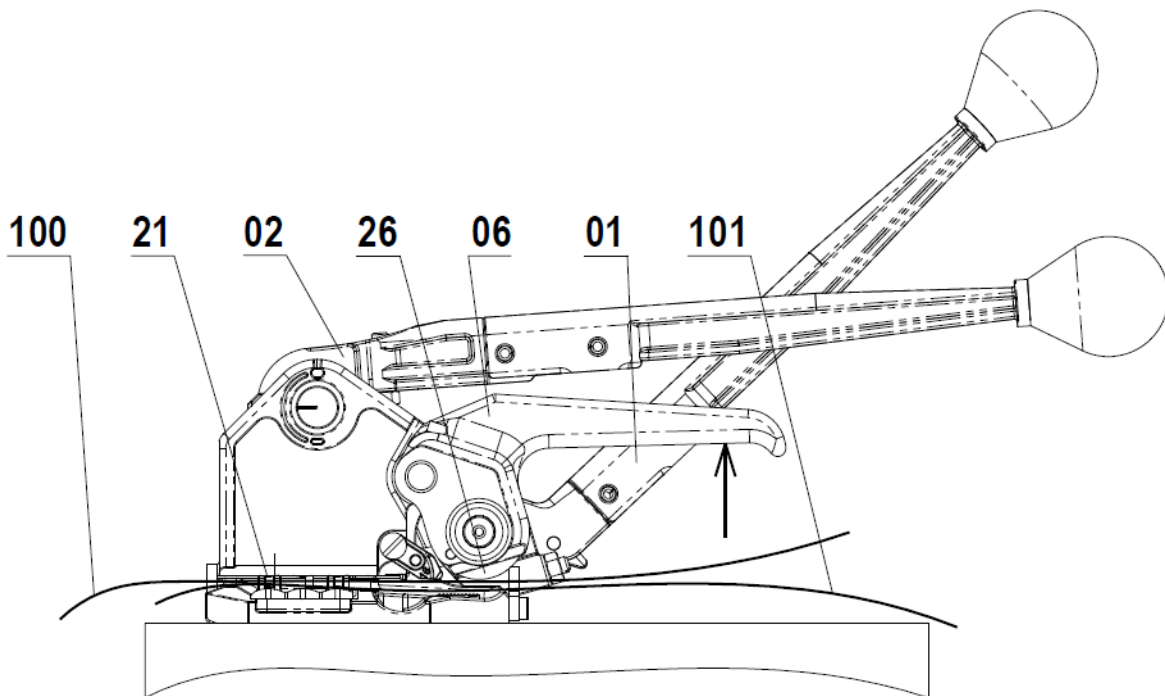


Fig. 2



02 9452-3566

sales@getpacked.com.au

2. Apply tension by ratcheting **Tension Handle 01** as shown on Fig. 3.

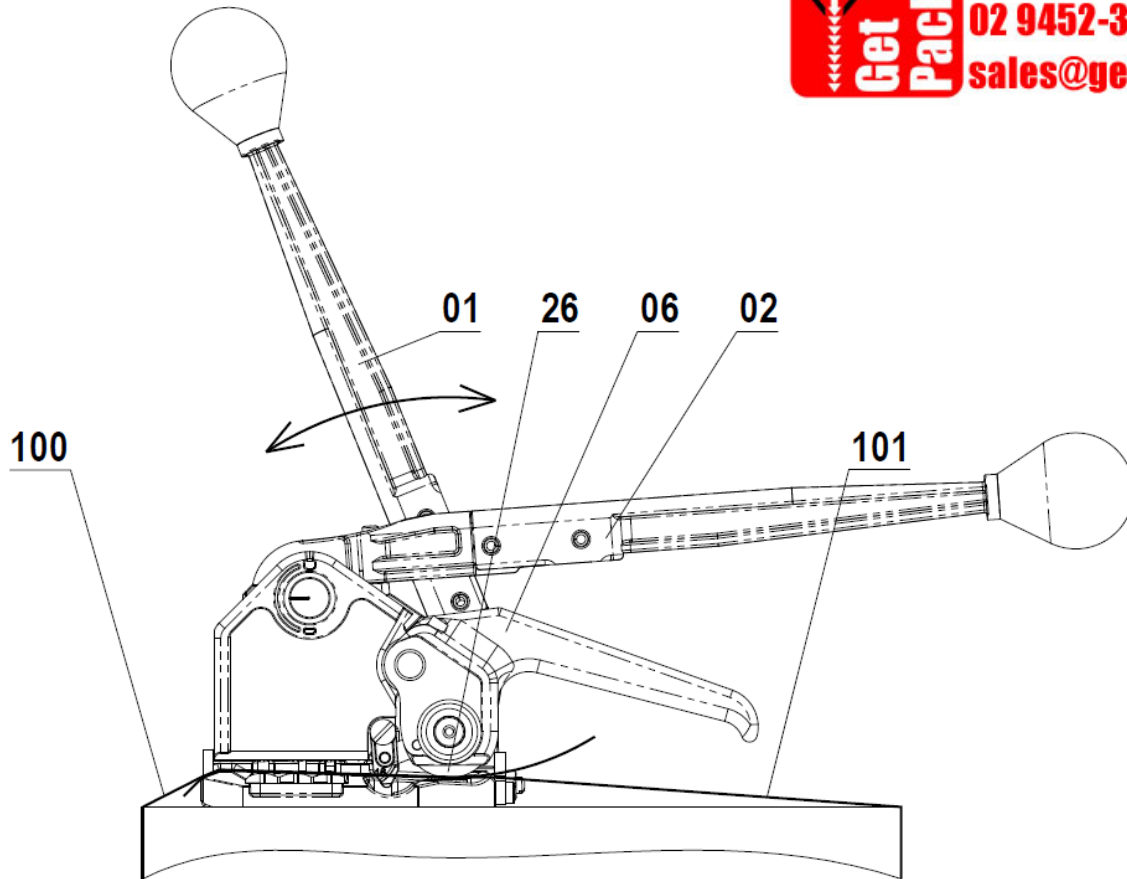


Fig. 3

3. Once satisfactory tension is achieved return **Tension Handle 01** back and push **Sealing Handle 02** forward to seal the joint and cut the excess strap as shown on Fig.4

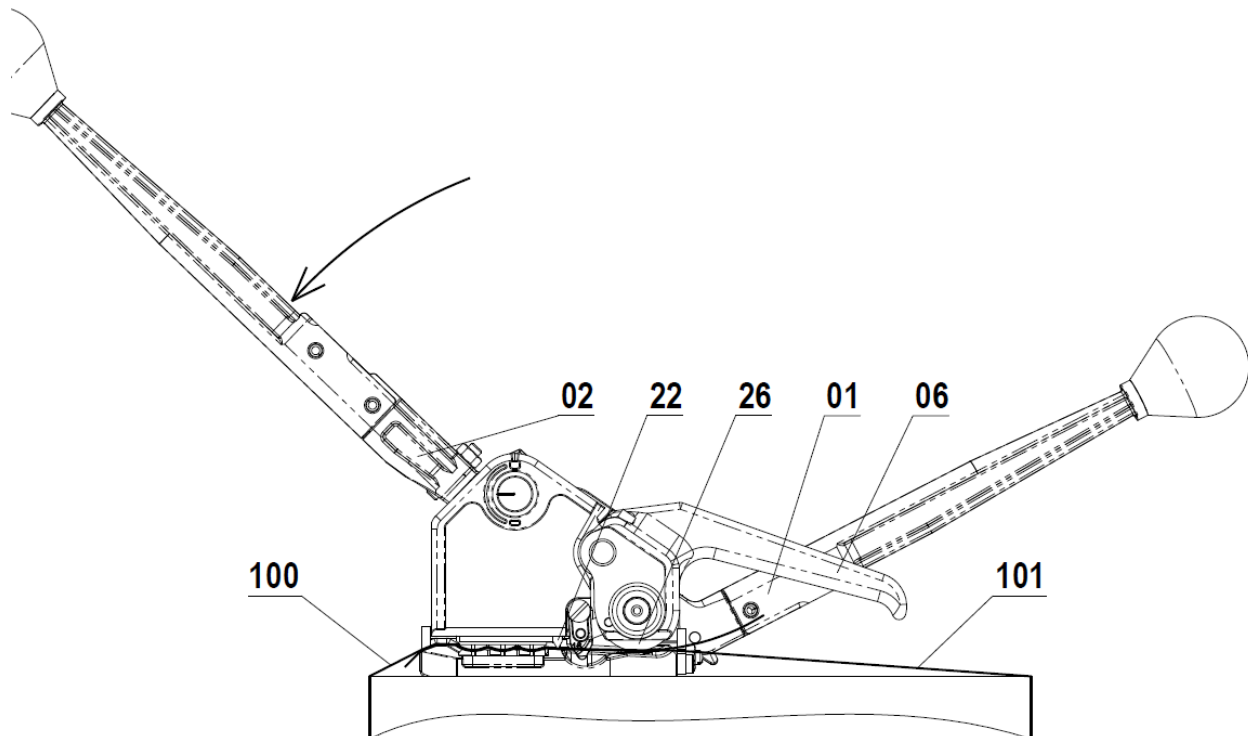


Fig. 4

4. Return **Sealing Handle 02** back and pull up **Feed Wheel Support Handle 06** to release the strap and to remove the tensioner by sliding the backfoot out to the side followed by the front as shown on Fig. 5. The operation cycle is now complete.